



Wall & Ceiling Panels



Panels
for perfect
quality of
life in all kinds
of spaces



WWW.DIMKISOL.BE

For more than half a century (since 1971), **DIMKISOL** has been manufacturing unique wall and ceiling panels which use an ingenious system to provide ideal air distribution in any space.

Echoing offices, or cold rooms with unpleasant draughts are finally a thing of the past with **DIMKISOL** panels. And these are just some of the many advantages these panels offer.

Leaf through our brochure and be surprised by the unprecedented possibilities, or take a look at our website.



Industrieweg 1413 - 3540 Herk-de-stad
For any information: +32(0) 13 55 36 97



YOUR GUARANTEE OF TOP QUALITY

More than 50 years

In 1971 Dimkisol started out as a modest producer of various metal cassettes for insulation in all shapes and sizes. Since then, Dimkisol has become a byword for top quality ceiling and wall panels. The company's name was taken from this activity.



Plain language

Clear and straight-forward communication is our top priority. Each project is handled by a single permanent contact within our company. Timely guidance and follow-up of your order from A to Z, with proper agreements and plain language.



Anno 2022

Thanks to investments, tireless efforts and ever-increasing skills and experience, our company has grown into a 100% Belgian company unrivalled throughout Europe.



Service

We still write "Service" with a capital letter and flexibility is one of our greatest strengths. Every order is executed as smoothly as possible, taking into account your personal



EXCLUSIVE WALL & CEILING PANELS

A breath of fresh air to your business

Our unique ceiling and wall systems provide striking comfort. With integrated lighting, balanced acoustics and intelligent air distribution, these systems bring a breath of fresh air to your business.

Applications

The applications are endless, allowing the panels to be used in a wide range of industries.

The system is also suitable for any space where people work. Cooling and heating can be provided without draughts, with total control of acoustics and excellent humidity control.

In short: this system of wall and ceiling panels not only creates a pleasant

working environment for you yourself, but also for customers and staff. Just think of the applications in:

- Cold rooms
- Data rooms
- Supermarkets
- Clean rooms
- Laboratories
- Offices
- Meeting rooms
- (industrial) kitchens
- Dairy and meat industry
- Chemical sector
- Printing industry
- Packing rooms
- Storage areas, etc.



The ideal cold room: cool for products, comfortable for visitors.

“You walk through the supermarket and you only need a couple of products from the chilled section. You move fast, because you are not dressed for the cold in the chilled section on a summer’s day.”

Perhaps you recognise yourself in this scenario and you had not previously heard of Dimkisol.

We design unique grid networks (ceiling or wall systems) that are ideal for cooling such spaces. Because the grids distribute the cold air evenly (no draughts), the products remain at the desired cool temperature while, at the same time, the temperature for visitors stays remarkably comfortable.

More sales with the same investment

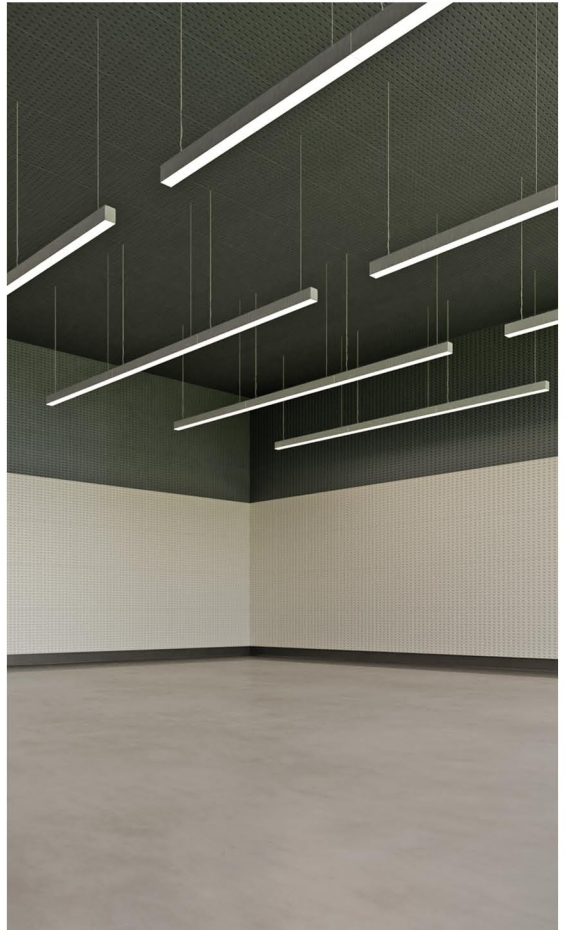
The price of our panels is comparable to investment in a conventional cooling system. Except that our panels provide a comfortable temperature that makes customers spend more time in a chilled area and hence automatically buy more.

It goes without saying that this system offers the solution for practically all (commercial) spaces!

How many grids do you need?

The number of panels you need depends on the space and your acoustic and/or cooling requirements.

Unused areas can be covered with soundproofing material. The specially perforated Polyval grids distribute the air from the cooling system evenly and



without draughts. This air is collected and filtered, then re-cooled and re-distributed.

Central technical space

If you opt for Dimkisol, then a central technical space for the cooling system provides the ideal combination. All the equipment remains hidden from customers/visitors at all times, and even during opening hours maintenance can be done in the central space.

Maintenance?

Maintenance is a big word. Cleaning the grids is easy with a damp cloth or, if necessary, with a powerful water jet.

POLYVAL FOR WALL & CEILING

Make your choice: a suspended ceiling or a false wall



Polyval tile with its unique perforation

Tile in closed version



Tile with opening for lighting

Tile in stainless steel



Suspended ceiling

If the particular space you want to furnish with the Dimkisol system is really large, the ceiling variant is the preferred option for your business.

The Polyval ceiling system distributes the temperature as evenly as possible throughout the space and ensures a feeling of comfort.

False wall

If the walls in the space consist mainly of shelves, the wall system is a better choice. The products on the shelves are perfectly chilled while in the middle of the space (where visitors stand) the temperature will be a few degrees warmer.

RESPONSIBLE ACOUSTICS

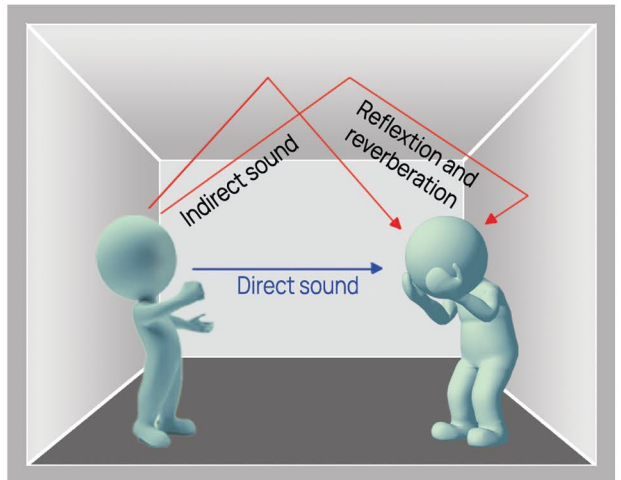
Disturbing ringing noises and echoing rooms are things of the past

Troubled by reverberating sound or annoying echoes?

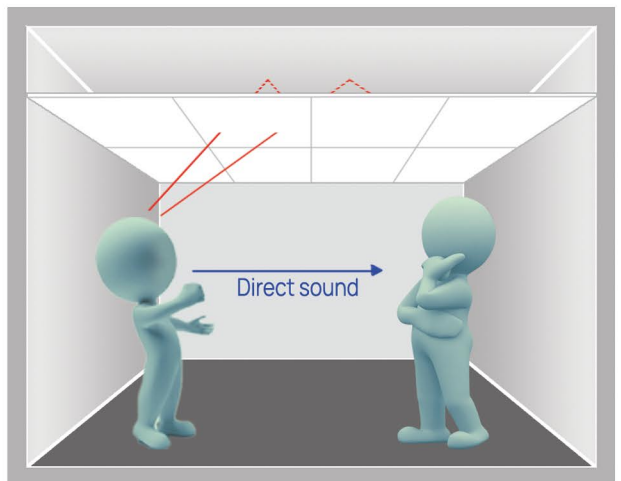
Nothing is more irritating than poor sound in a meeting room, or an echoing workplace where every sound reverberates.

If you're planning to set up a dining room, office, classroom or a meeting room, take a preventive approach!

The Polyval system enables you to install sound-insulating mats (consisting of mineral wool) that reduce any irritating noise, or make it virtually inaudible.



Before installation of a Polyval ceiling



After installation of a Polyval ceiling

A BETTER WORKING CLIMATE

No more annoying draughts or unwanted air currents!

Perfect air distribution The ingenious perforations in the Polyval panels ensure that cold or warm air from above the suspended ceiling is evenly distributed and gently descends into the room as a uniform layer.

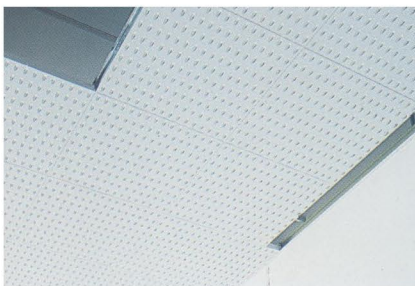
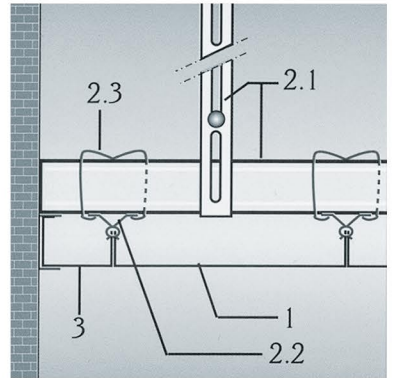
TECHNICAL SHEET

Polyval

A Polyval system is an aesthetically pleasing set of wall or (suspended) ceiling panels designed for both acoustics and optimal air distribution.

A complete ceiling system consists of:

1. Ceiling panels
2. A robust suspension system
3. Edging trim



During installation, the suspension system is mounted first. This consists of a primary grid in U-profiles spaced ± 130 cm apart, to which a secondary grid is attached with clip profiles spaced 60 or 30 cm apart. Finally, the panels are attached below.

The panels are manufactured in our own workshop and are a 100% BELGIAN product with the best price/quality ratio.

The panels are corrosion-free and cathodic protection ensures that even the cut edges are not susceptible to rust!

- **Dimensions:**

The panels are 0.6 mm thick and measure 600 x 600 mm or 600 x 300 mm.

- **Material:**

Cold-rolled, hot-galvanised steel sheet (Sendzimir continuous system)

- **Treatment:**

Both sides 100 g/m² zinc. Front: 5 microns epoxy primer and 25 microns white polyester final coat. Reverse: 5 microns epoxy primer.

The panels are available in a range of colours

- **Types:**

Ordinary closed plain panels and Polyval perforated panels. The open panels have a relief pattern on the visible side of hexagonal appearance, with 1 mm upstands and recessed openings that can be adapted to acoustic or ventilation requirements.

- **Acoustic system:**

Mineral wool mats (600 x 600 x 25 mm, 45 kg/m³)

encased in welded black polyethylene. These are laid in the tiles.



WWW.DIMKISOL.BE
 Industrieweg 1413 - 3540 Herk-de-stad

+32(0) 13 55 36 97
 info@dimkisol.be